

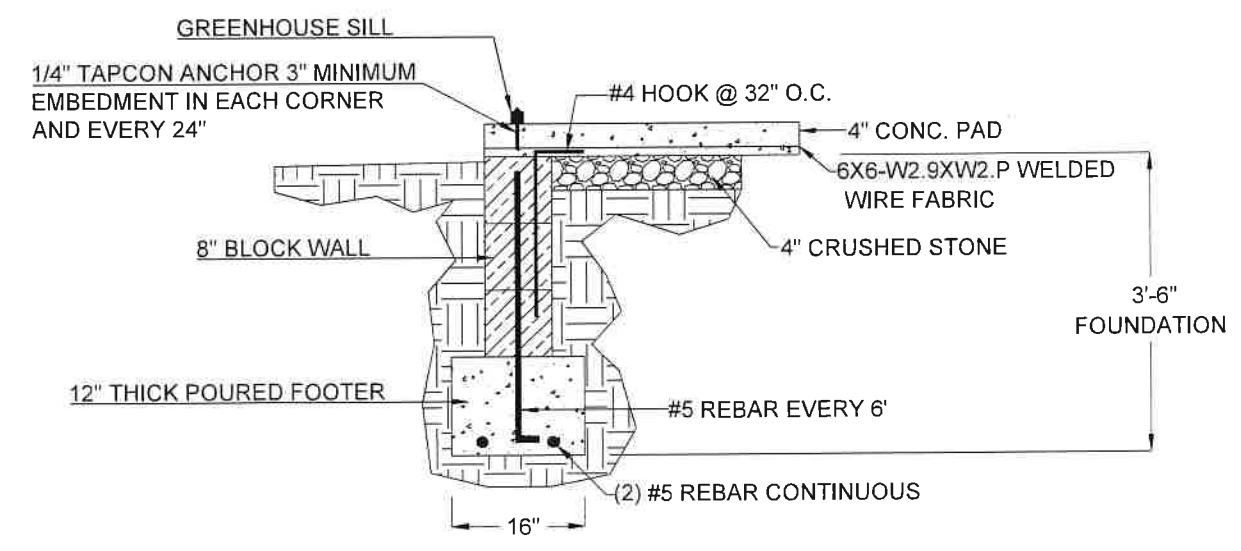
354 N. Lake St. Madison OH 44057
(440) 357-0022

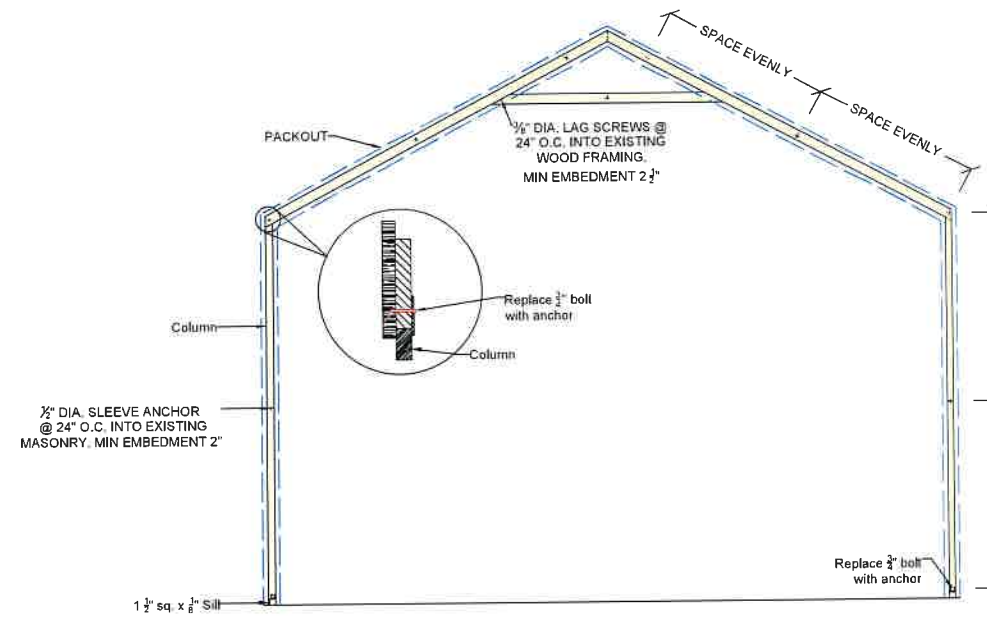
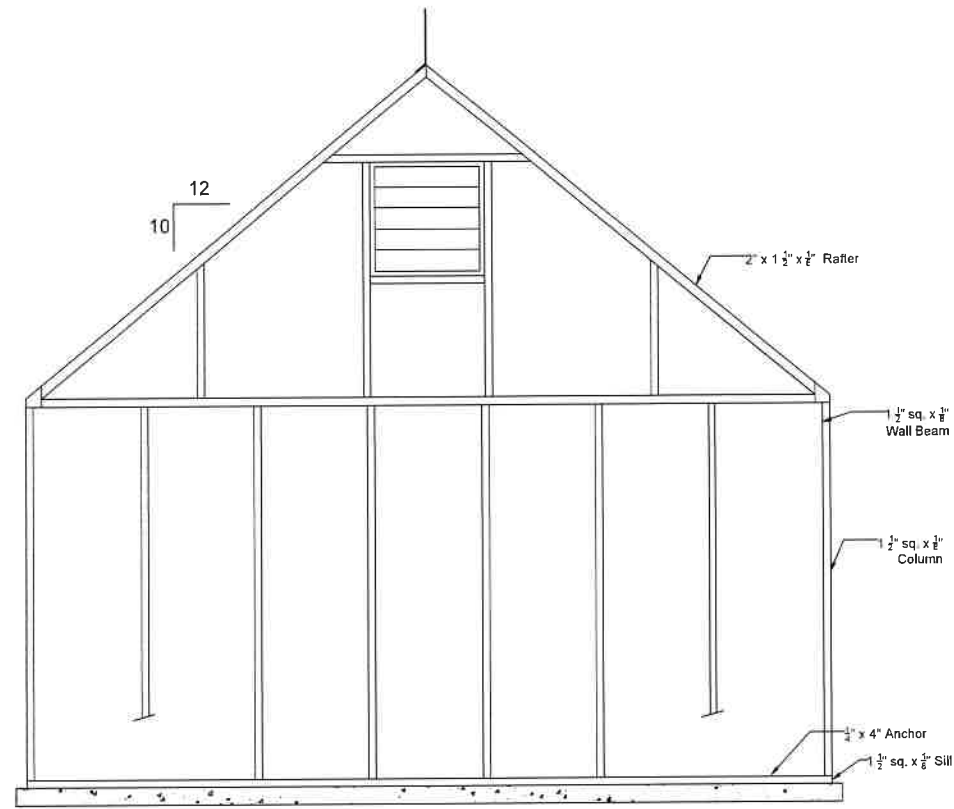
Ed Aro

SCALE: NTS	SHEET: 1 OF 3	DATE: 7/29/2022	REV. 3
---------------	------------------	--------------------	-----------

NOTES:

- Greenhouse Dimensions - 14'-1 1/2" x 16'-1 1/2"
- All dimensions, depths, reinforcing, and materials are suggested. Local building code will take precedence.
- Concrete floor to be poured at 4" with 3000 psi concrete, concrete needs to extend to outside of foundation wall under all door way openings.
- Kneewall is measured from top of finished wall to finish floor. Top of kneewall must be level, flat & have a mountable surface.
- The location and installation of water, electric, gas and drains are the responsibility of the homeowner.
- Basic Wind Speed: 105 mph
- Ground Snow Load: 30 lb/sq. ft





S.1



ARCADIA
GLASSHOUSE

354 N. Lake St. Madison OH 44057
(440) 357-0022

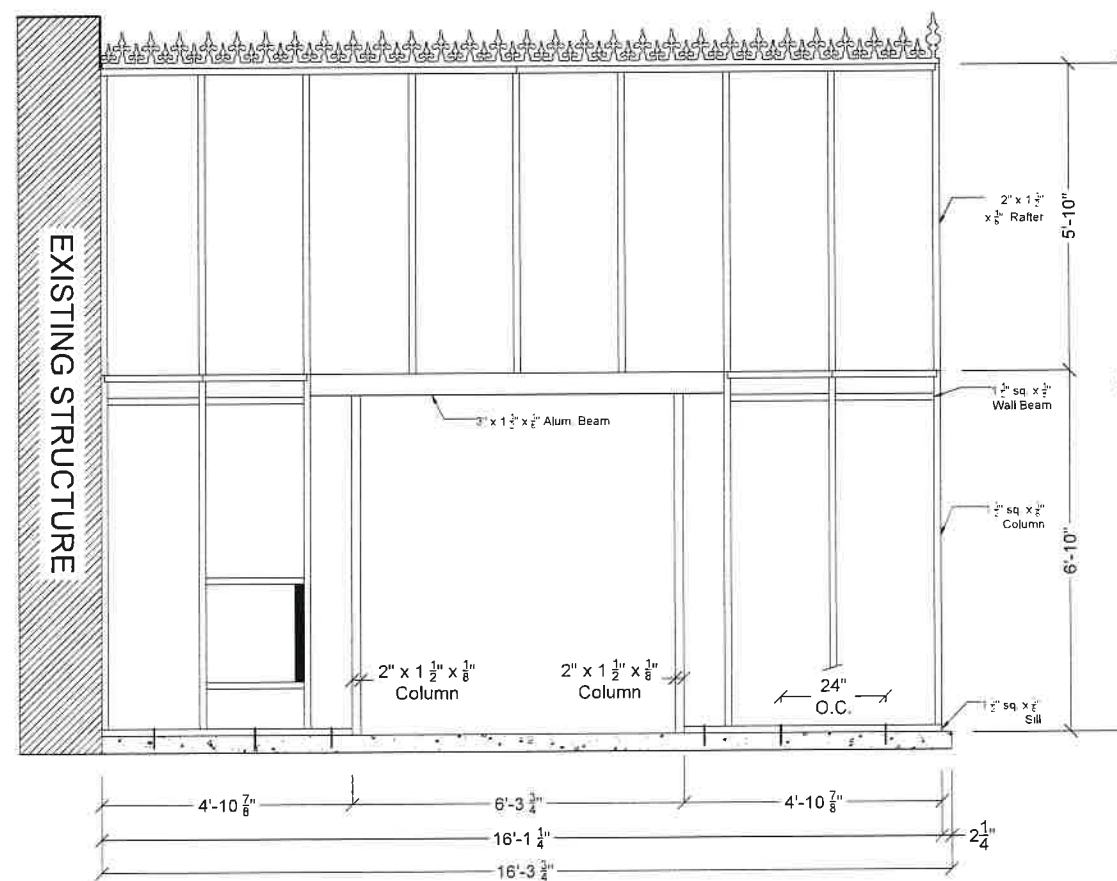
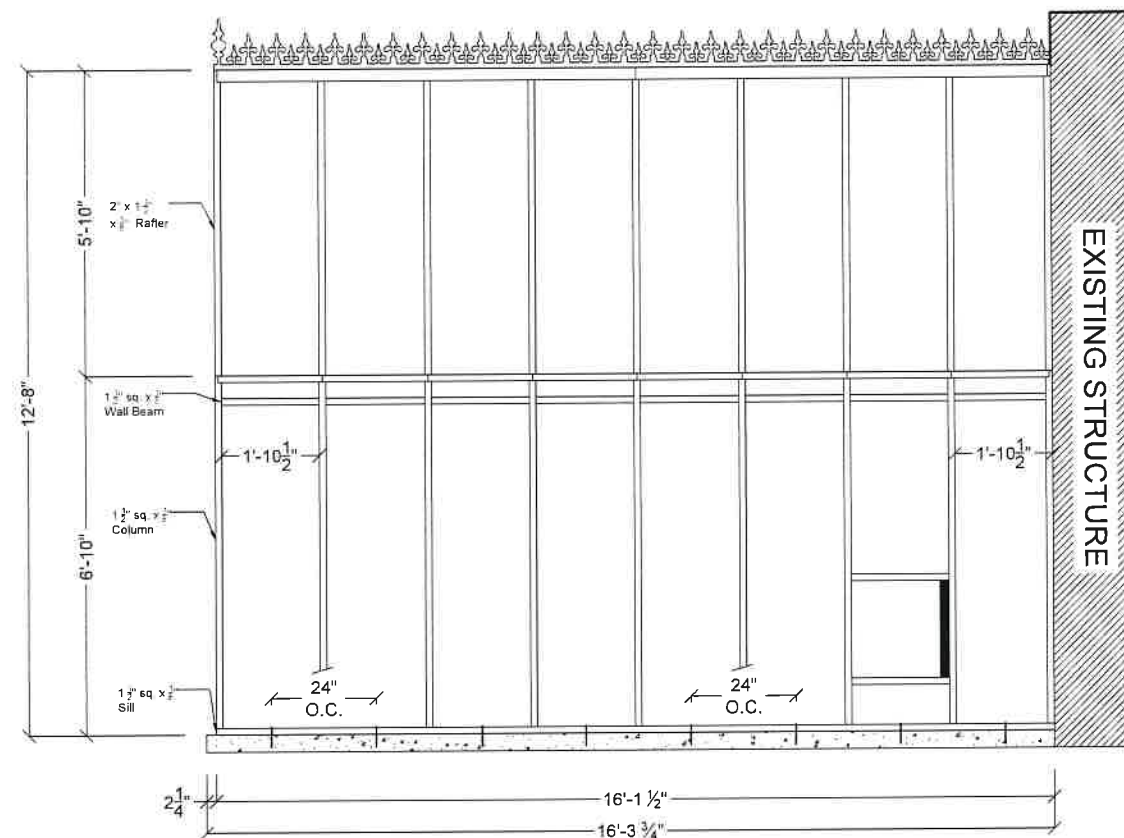
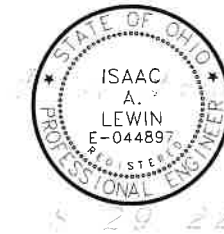
Ed Aro

SCALE: NTS	SHEET: 2 OF 3	DATE: 8/22/2022	REV: 3
---------------	------------------	--------------------	-----------

NOTES:

- Greenhouse Dimensions - 14'-1 1/2" x 16'-1 1/2"
- All dimensions, depths, reinforcing, and materials are suggested. Local building code will take precedence.
- Concrete floor to be poured at 4" with 3000 psi concrete, concrete needs to extend to outside of foundation wall under all door way openings.
- Kneewall is measured from top of finished wall to finish floor. Top of kneewall must be level, flat & have a mountable surface.
- The location and installation of water, electric, gas and drains are the responsibility of the homeowner.
- Basic Wind Speed: 105 mph
- Ground Snow Load: 30 lb/sq. ft

WIDTH	HEIGHT	ANCHORS		STRUCTURAL MEMBERS 6061 T-6 ALUM. TUBE					6061 T-6 ALUM. L
		DIA.	LENGTH	RAFTERS	STUDS	WALL SILL	WALL STRUT	COLLAR TIE & DIAGONALS	BRIDGING
6'-0"	8'-6"	0'-0 1/4"	0'-4"	1 1/4" Sq. x 1/8"	1 1/4" Sq. x 1/8"	1 1/4" Sq. x 1/8"	1 1/4" Sq. x 1/8"	1 1/4" Sq. x 1/8"	1 1/2" x 1 1/2" x 1/8"
8'-0"	9'-0"	0'-0 1/4"	0'-4"	1 1/4" Sq. x 1/8"	1 1/4" Sq. x 1/8"	1 1/4" Sq. x 1/8"	1 1/4" Sq. x 1/8"	1 1/4" Sq. x 1/8"	1 1/2" x 1 1/2" x 1/8"
10'-0"	9'-6"	0'-0 1/4"	0'-4"	1 1/4" Sq. x 1/8"	1 1/4" Sq. x 1/8"	1 1/4" Sq. x 1/8"	1 1/4" Sq. x 1/8"	1 1/4" Sq. x 1/8"	1 1/2" x 1 1/2" x 1/8"
12'-0"	10'-0"	0'-0 1/4"	0'-4"	1 1/2" Sq. x 1/8"	1 1/2" Sq. x 1/8"	1 1/2" Sq. x 1/8"	1 1/2" Sq. x 1/8"	1 1/2" Sq. x 1/8"	1 1/2" x 1 1/2" x 1/8"
14'-0"	12'-8"	0'-0 1/4"	0'-4"	2" x 1 1/2" x 1/8"	1 1/2" Sq. x 1/8"	1 1/2" Sq. x 1/8"	1 1/2" Sq. x 1/8"	1 1/2" Sq. x 1/8"	1 1/2" x 1 1/2" x 1/8"
16'-0"	11'-0"	0'-0 1/4"	0'-4"	2" x 1 1/2" Sq. x 1/8"	2" x 1 1/2" x 1/8"	1 1/2" Sq. x 1/8"	1 1/2" Sq. x 1/8"	1 1/2" Sq. x 1/8"	1 1/2" x 1 1/2" x 1/8"
18'-0"	11'-6"	0'-0 1/4"	0'-4"	2" x 1 1/2" Sq. x 1/8"	2" x 1 1/2" x 1/8"	1 1/2" Sq. x 1/8"	1 1/2" Sq. x 1/8"	1 1/2" Sq. x 1/8"	1 1/2" x 1 1/2" x 1/8"
20'-0"	12'-0"	0'-0 1/4"	0'-4"	3 x 1 1/2" x 1/8" ** Truss	3" x 1 1/2" x 1/8"	3" x 1 1/2" x 1/8"	1 1/2" x 3" x 1/8"	DNA	1 1/2" x 1 1/2" x 1/8"
22'-0"	12'-6"	0'-0 1/4"	0'-4"	3 x 1 1/2" x 1/8" ** Truss	3 x 1 1/2" x 1/8"	3 x 1 1/2" x 1/8"	1 1/2" x 3" x 1/8"	DNA	1 1/2" x 1 1/2" x 1/8"
24'-0"	13'-0"	0'-0 1/4"	0'-4"	3 x 1 1/2" x 1/8" ** Truss	3 x 1 1/2" x 1/8"	3 x 1 1/2" x 1/8"	1 1/2" x 3" x 1/8"	DNA	1 1/2" x 1 1/2" x 1/8"



ARCADIA
GLASSHOUSE

354 N. Lake St. Madison OH 44057
(440) 357-0022

Ed Aro

SCALE: NTS	SHEET: 3 OF 3	DATE: 7/29/2022	REV: 2
---------------	------------------	--------------------	-----------

NOTES:

- Greenhouse Dimensions - 14'-1 1/2" x 16'-1 1/2"
- All dimensions, depths, reinforcing, and materials are suggested. Local building code will take precedence.
- Concrete floor to be poured at 4" with 3000 psi concrete, concrete needs to extend to outside of foundation wall under all door way openings.
- Kneewall is measured from top of finished wall to finish floor. Top of kneewall must be level, flat & have a mountable surface.
- The location and installation of water, electric, gas and drains are the responsibility of the homeowner.
- Basic Wind Speed: 105 mph
- Ground Snow Load: 30 lb/sq. ft

817 Beech Hill





817 Beech Hill