

HOMEOWNER:

DARIN CROFT

803 MEADOWVIEW DR.

MAY FIELD VILLAGE, OH 44040

216-496-1348

CONTRACTOR:

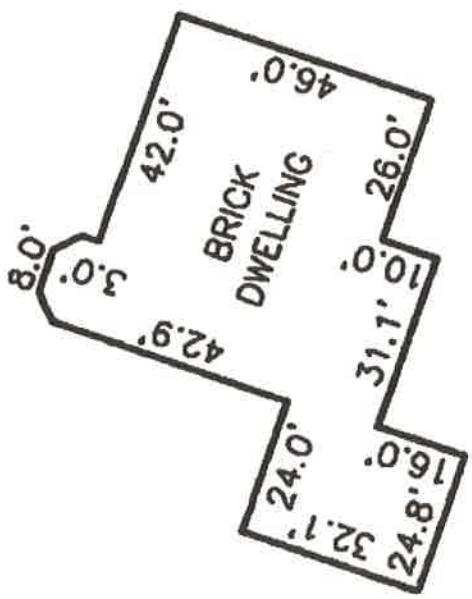
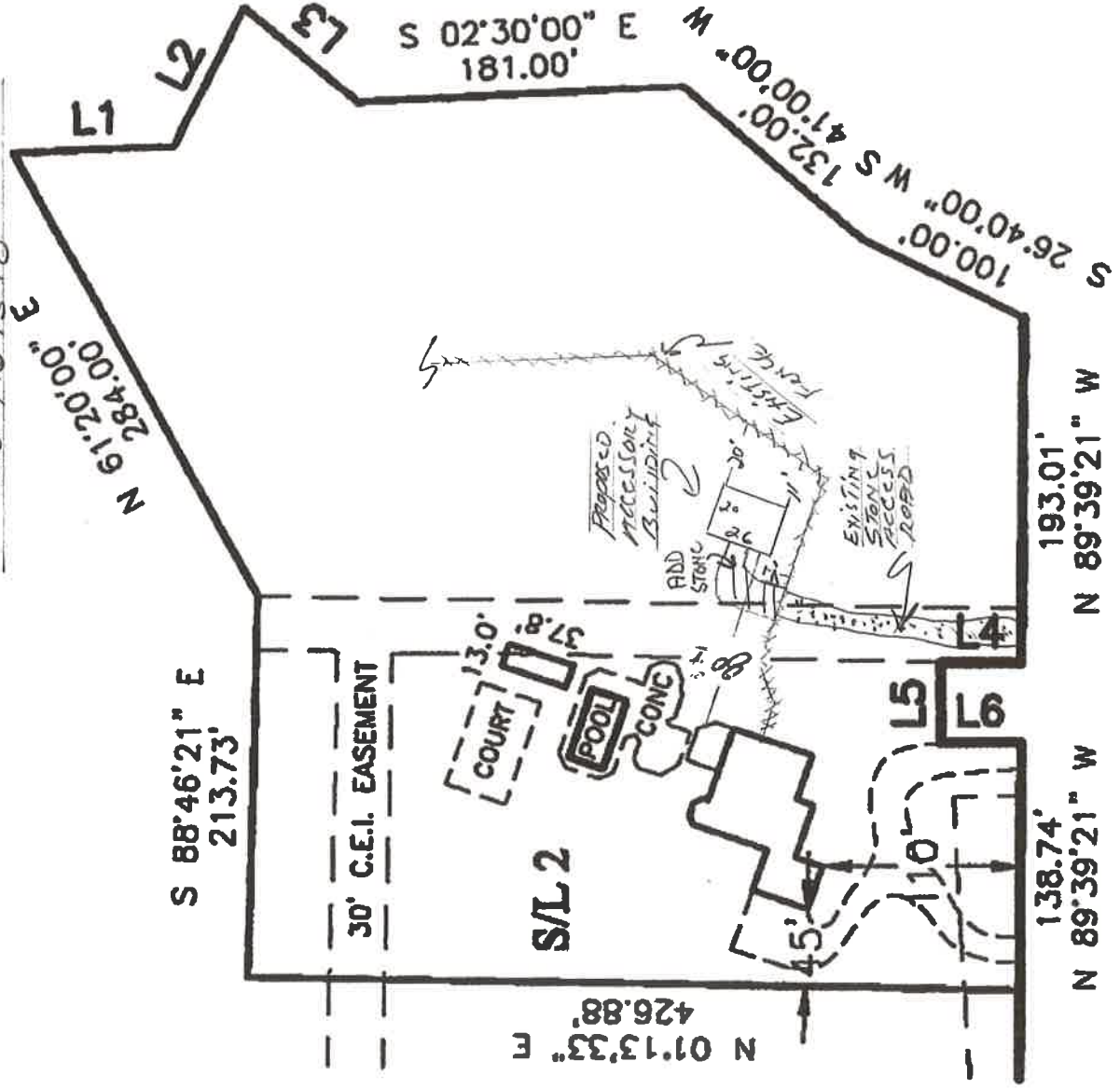
THE GREAT GARAGE COMPANY

8500 WILKINS RD.

N. Royalton, OH 44133

John D'Amico

440-230-9900





View of the 10' wide drive leading to gate which is 7' from the proposed garage location



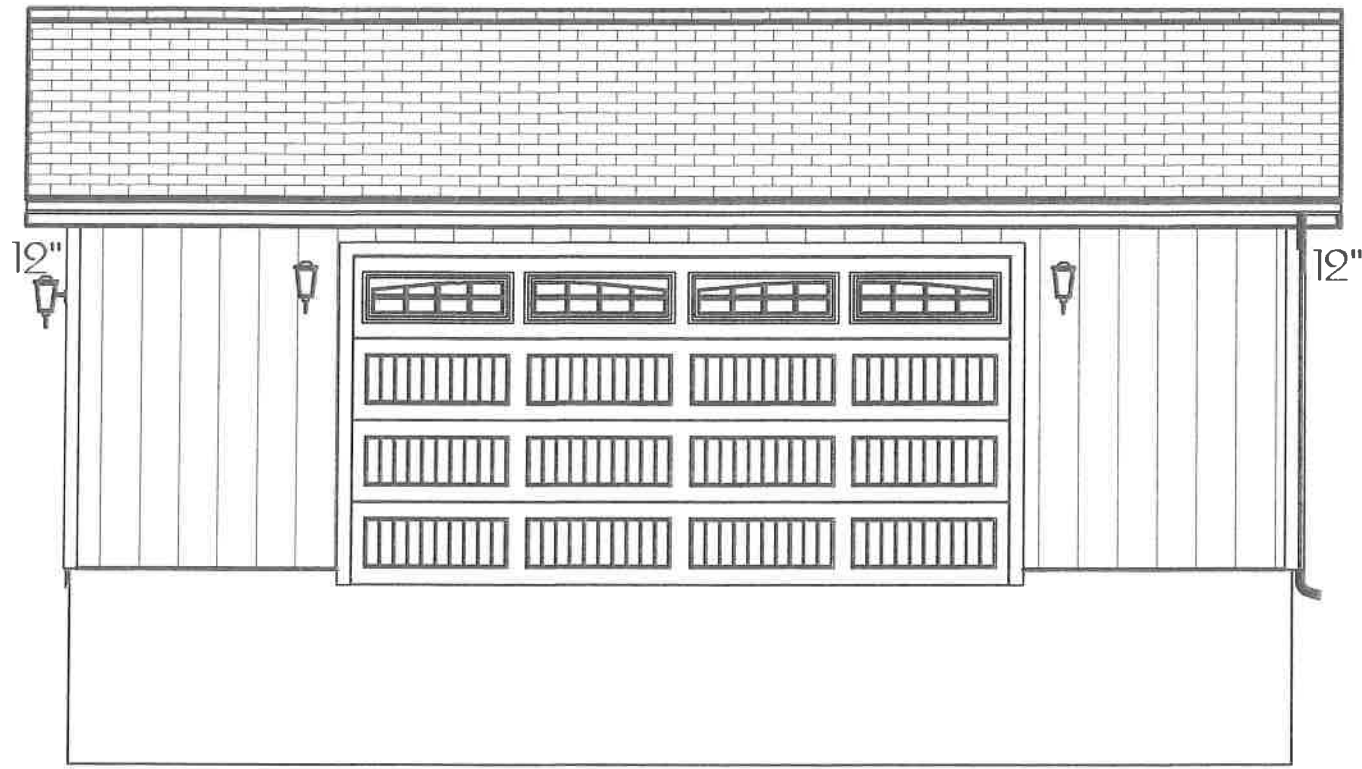
View from gate back toward the street.

Picture at the edge of the road to the existing stone drive

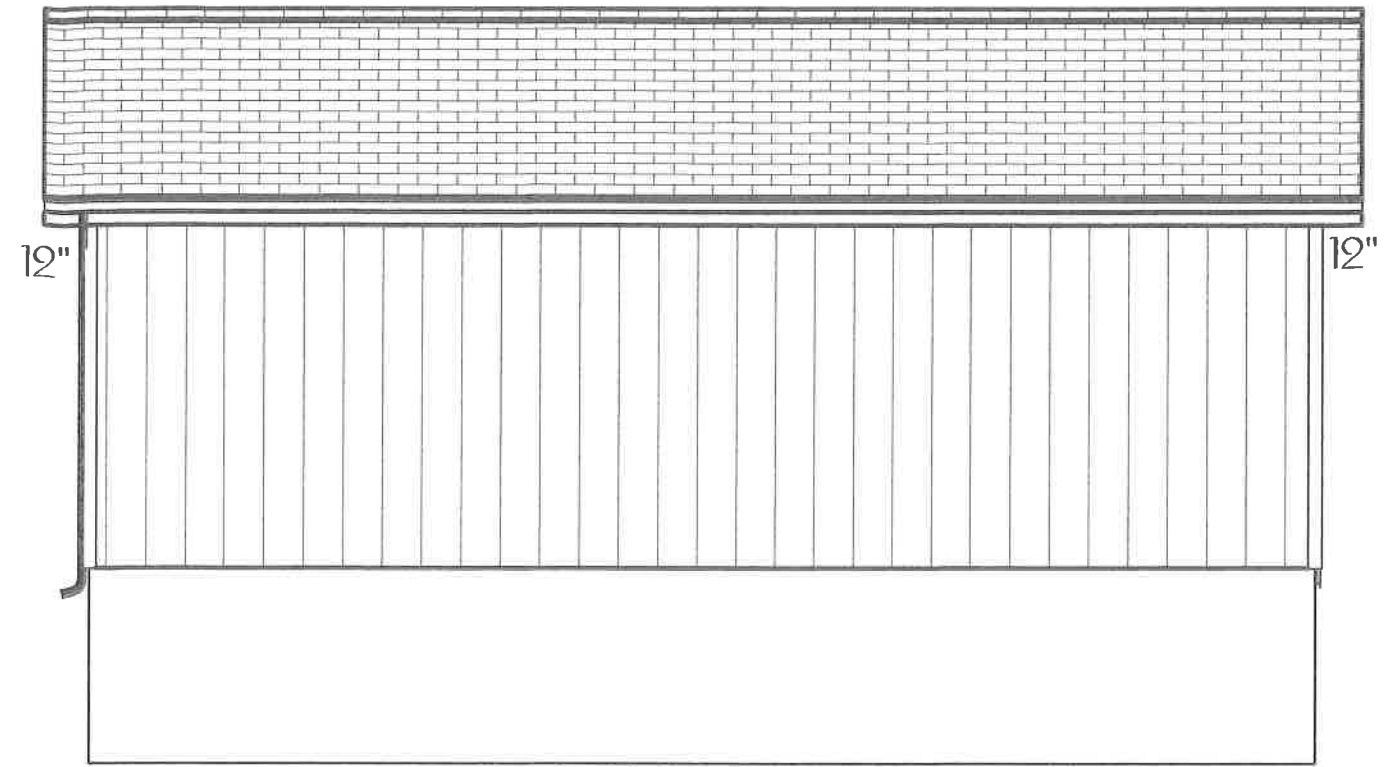


10' wide drive

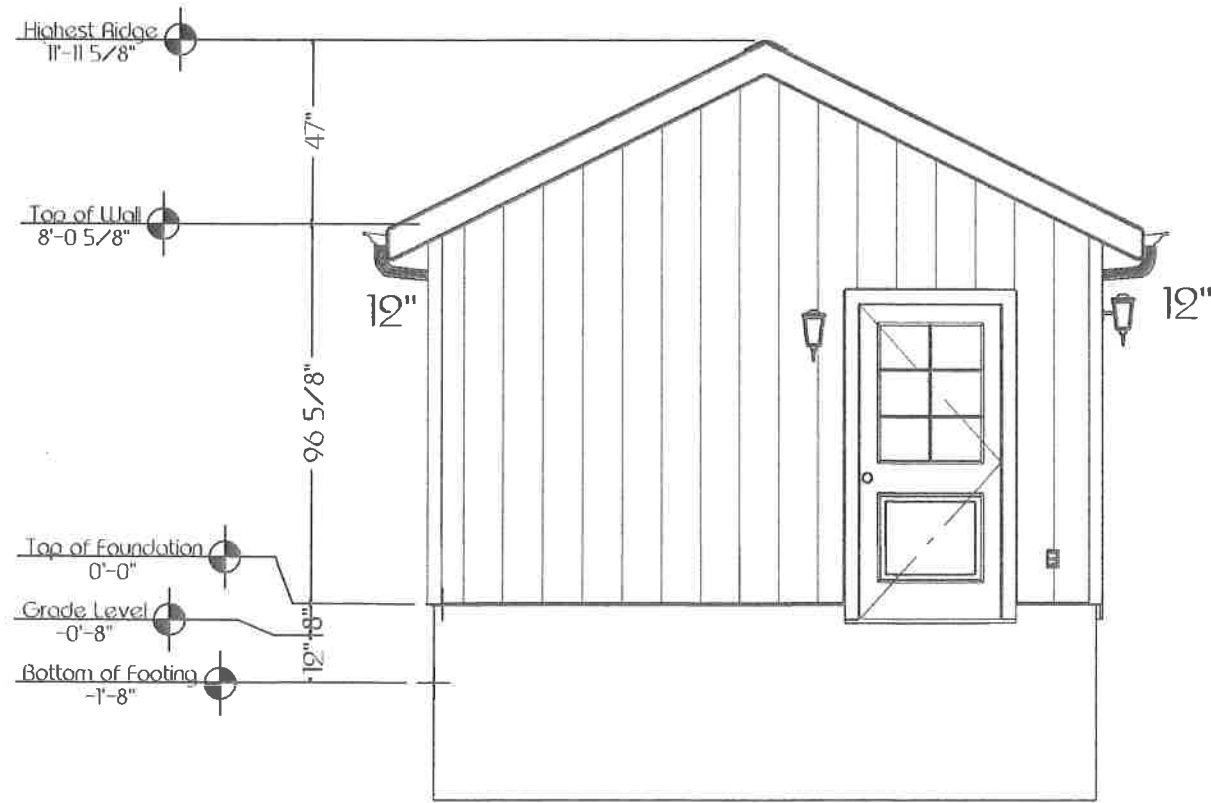




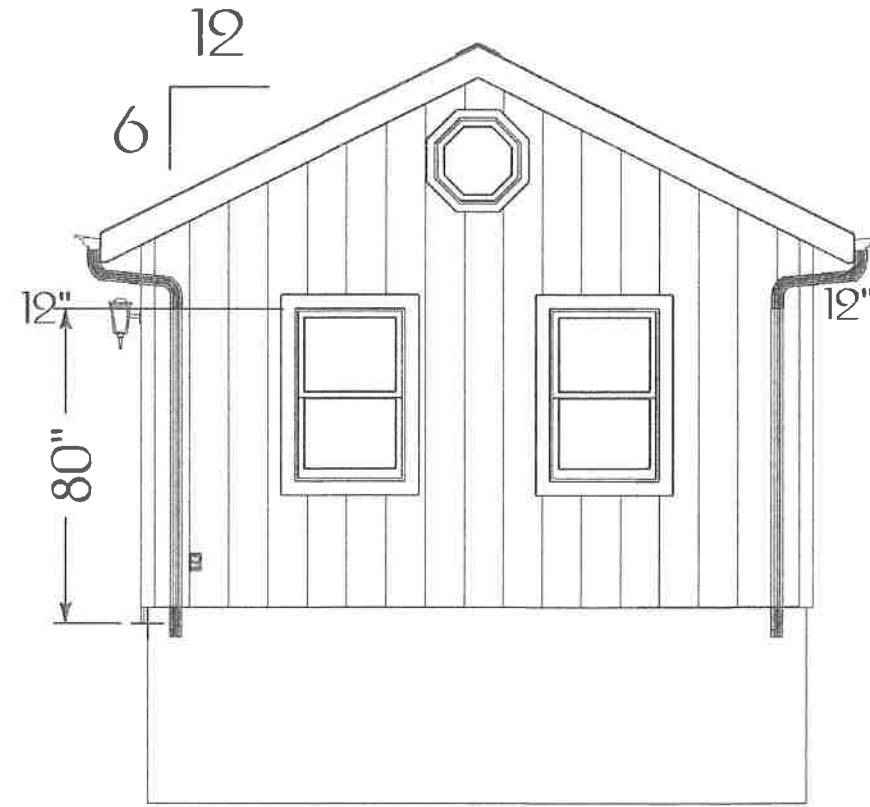
FRONT ELEVATION



REAR ELEVATION



LEFT ELEVATION



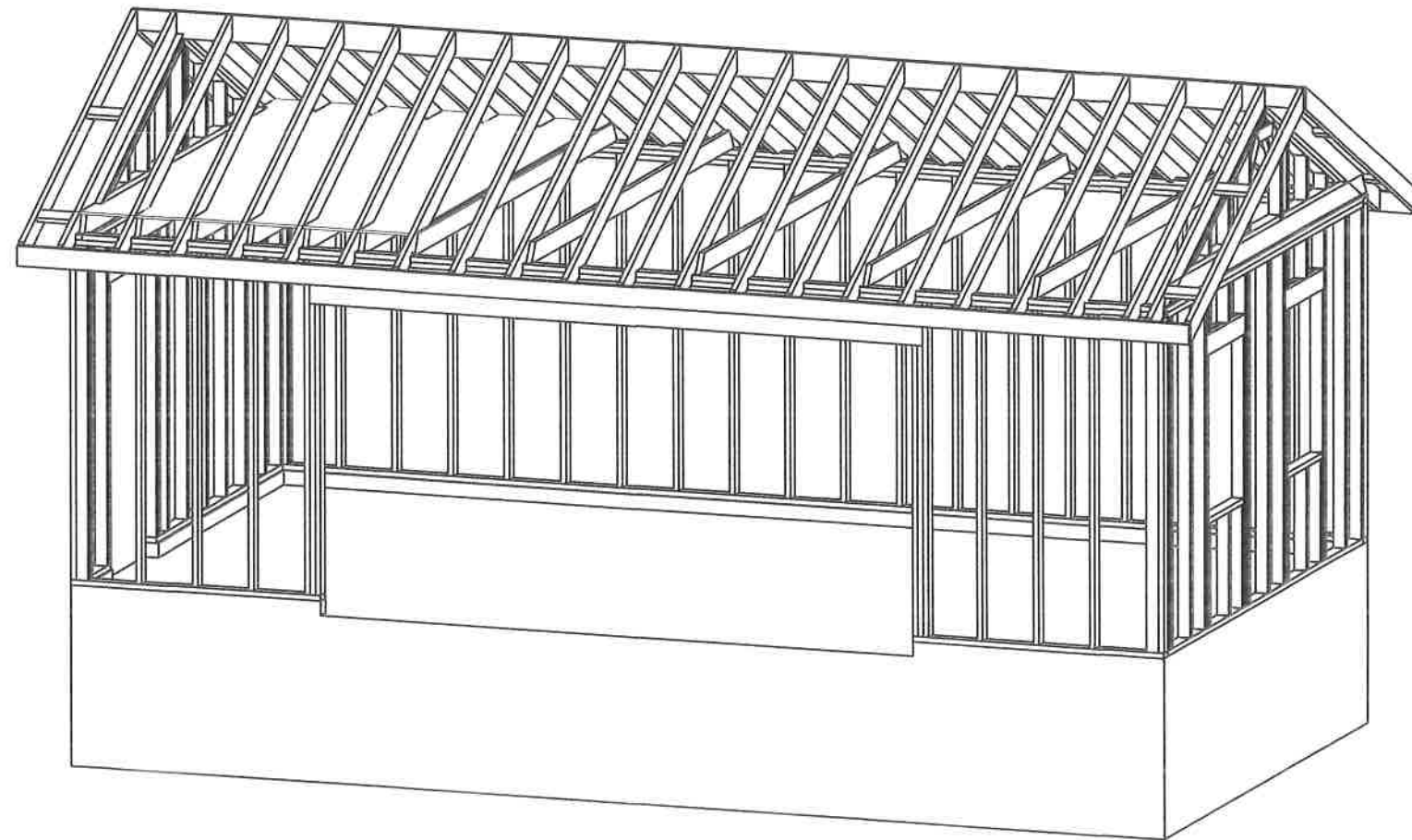
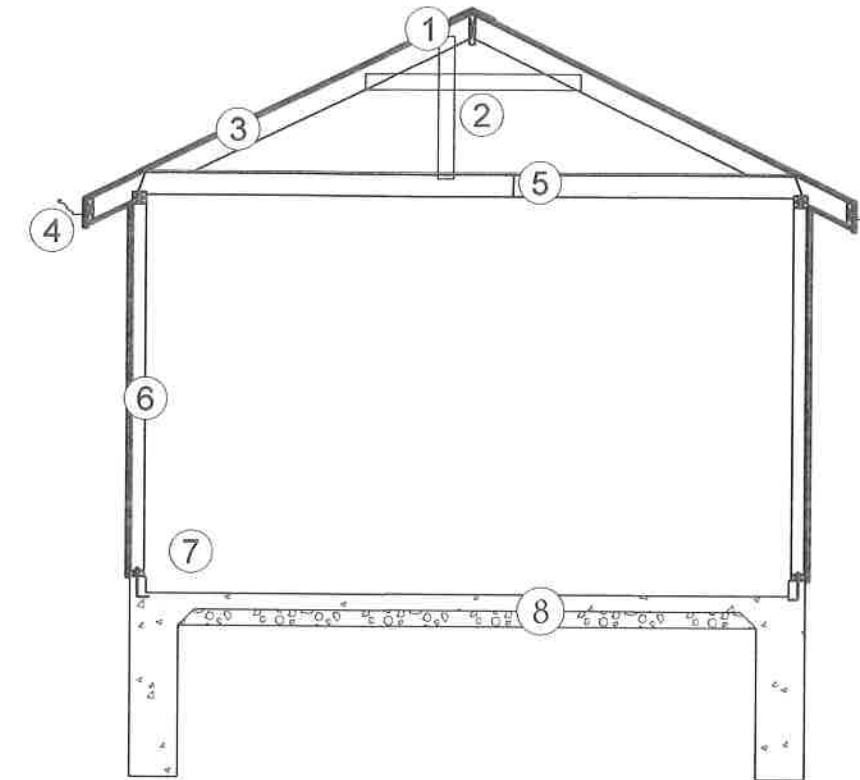
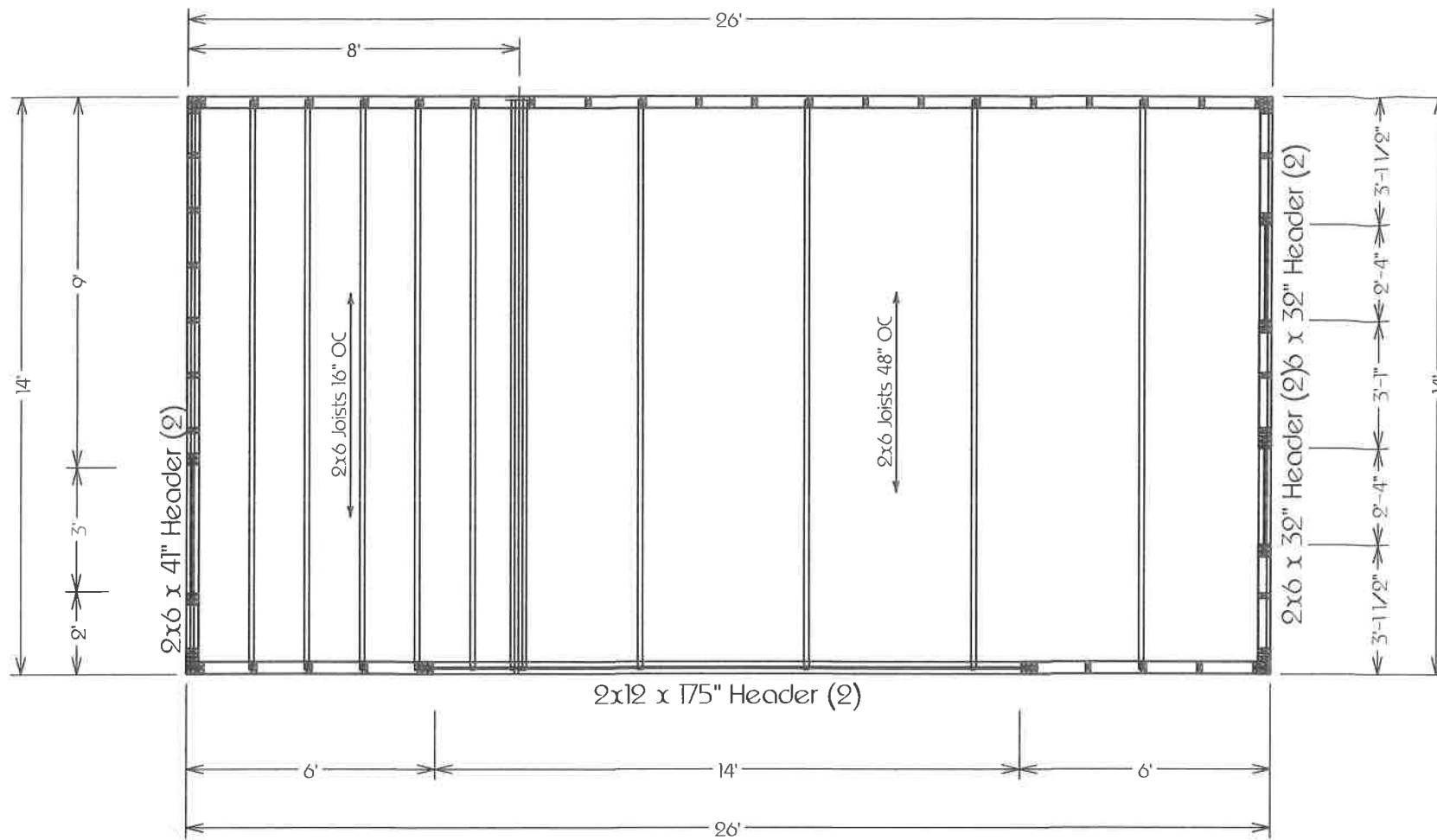
RIGHT ELEVATION

Darin Croft & Lisa Yerian
 803 Meadowview Drive
 Mayfield Village, OH 44040
 216-496-1348
 216-368-5268

26 x 14 Reverse Gable
 Garage *STORAGE*
 Elevations *BLDG.*

DRAWINGS PROVIDED BY:
 Amy D'Amico
 The Great Garage Company
 620 Crystalbrooke Drive
 Hinckley, OH 44233
 440-230-9900

DATE:
5/22/2019
SCALE:
1/4
SHEET:
P-2



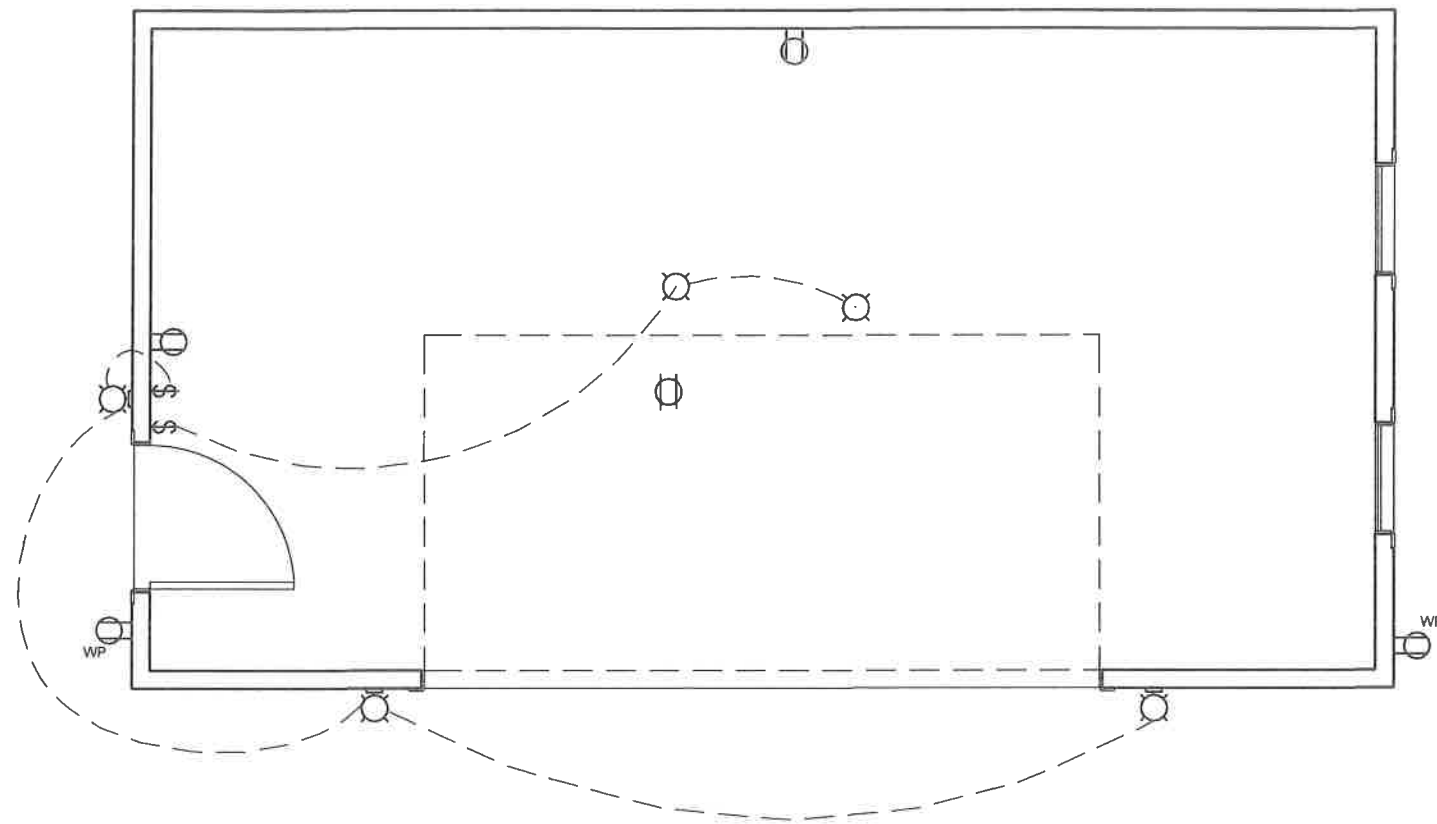
FRAMING & CONCRETE SCHEDULE	
①	SHINGLE OVER RIDGEVENT CONTINUOUS ACROSS RIDGE 2 X 8 RIDGEBEARD 7/16" OSB SHEATHING 2 X 6 RAFTERS 16" O.C.
②	2 X 4 COLLAR TIES 48" OC, 1 X 4 HANGERS 48" OC
③	15# FELT, 30 YEAR DIMENSIONAL SHINGLE
④	GUTTERS BY OWNER 1 X 6 FASCIA 2 - 2 X 4 PLATES
⑤	2 X 6 RAFTER TIES 48" OC - 16" OC UNDER 8' LOFT 5/8 OSB FLOOR FOR 8' LOFT
⑥	2 X 4 STUDS 16" O.C. LP VERTICAL SMART SIDING - 8" GROOVES
⑦	1/2" ANCHOR BOLTS 6' OC - 12" FROM CORNERS 2 X 4 TREATED PLATE, 4" DOW SILL SEAL, 4 X 4 CURB
⑧	6 X 6 #10 GAGE WIRE MESH, 4" CONCRETE FLOOR 4" GRAVEL BASE 42" FOOTER

Darin Croft & Lisa Yerian
803 Meadowview Drive
Mayfield Village, OH 44040
216-496-1348
216-368-5268

26 x 14 Reverse Gable
Garage
Structural

DRAWINGS PROVIDED BY:
Amy D'Amico
The Great Garage Company
620 Crystalbrooke Drive
Hinckley, OH 44233
440-230-9900

DATE:
5/22/2019
SCALE:
1/4
SHEET:
P-3



Electrical Plan View

ELECTRICAL SCHEDULE						
NUMBER	QTY	FLOOR	ATTACHED TO	DESCRIPTION	2D SYMBOL	3D ELEVATION
E01	2	1	WALL	PORCH LANTERN		
E02	2	1	WALL	DUPLEX		
E03	1	1	CEILING	DUPLEX, CEILING MOUNTED		
E04	2	1	WALL	DUPLEX (WEATHERPROOF)		
E05	2	1	CEILING	BARE BULB		
E06	1	1	WALL	HOMEOWNER TO SUPPLY COACHLIGHTS		
E07	2	1	WALL	SINGLE POLE		

Special Notes:

2 - 20 AMP circuits. Homeowner to supply 3 coach lights.

Darin Croft & Lisa Yerian
 803 Meadowview Drive
 Mayfield Village, OH 44040
 216-496-1348
 216-368-5268

26 x 14 Reverse Gable
 Garage
 Electrical

DRAWINGS PROVIDED BY:
 Amy D'Amico
 The Great Garage Company
 620 Crystalbrooke Drive
 Hindley, OH 44235
 440-230-9900

DATE:
 5/22/2019
 SCALE:
 1/4
 SHEET:
 P-4